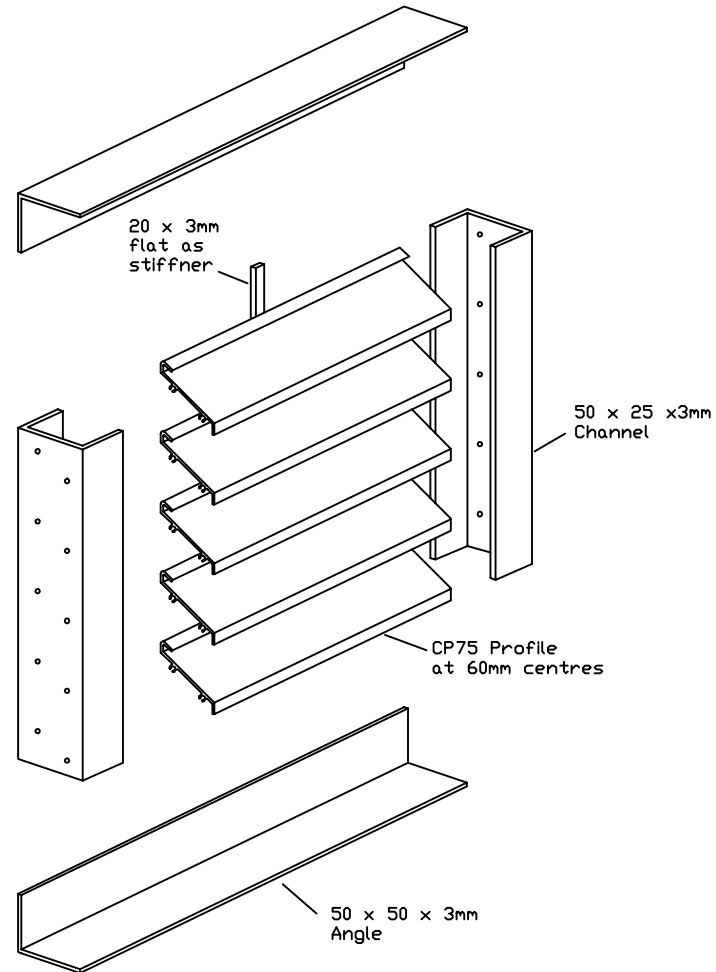


CP75 IN 50 x 25 Channel Frame



- NOTES :
1. Need 20 x 3mm stiffner every 1000mm
 2. Need 50 x 50 x 3mm Angle top and bottom if have stiffner