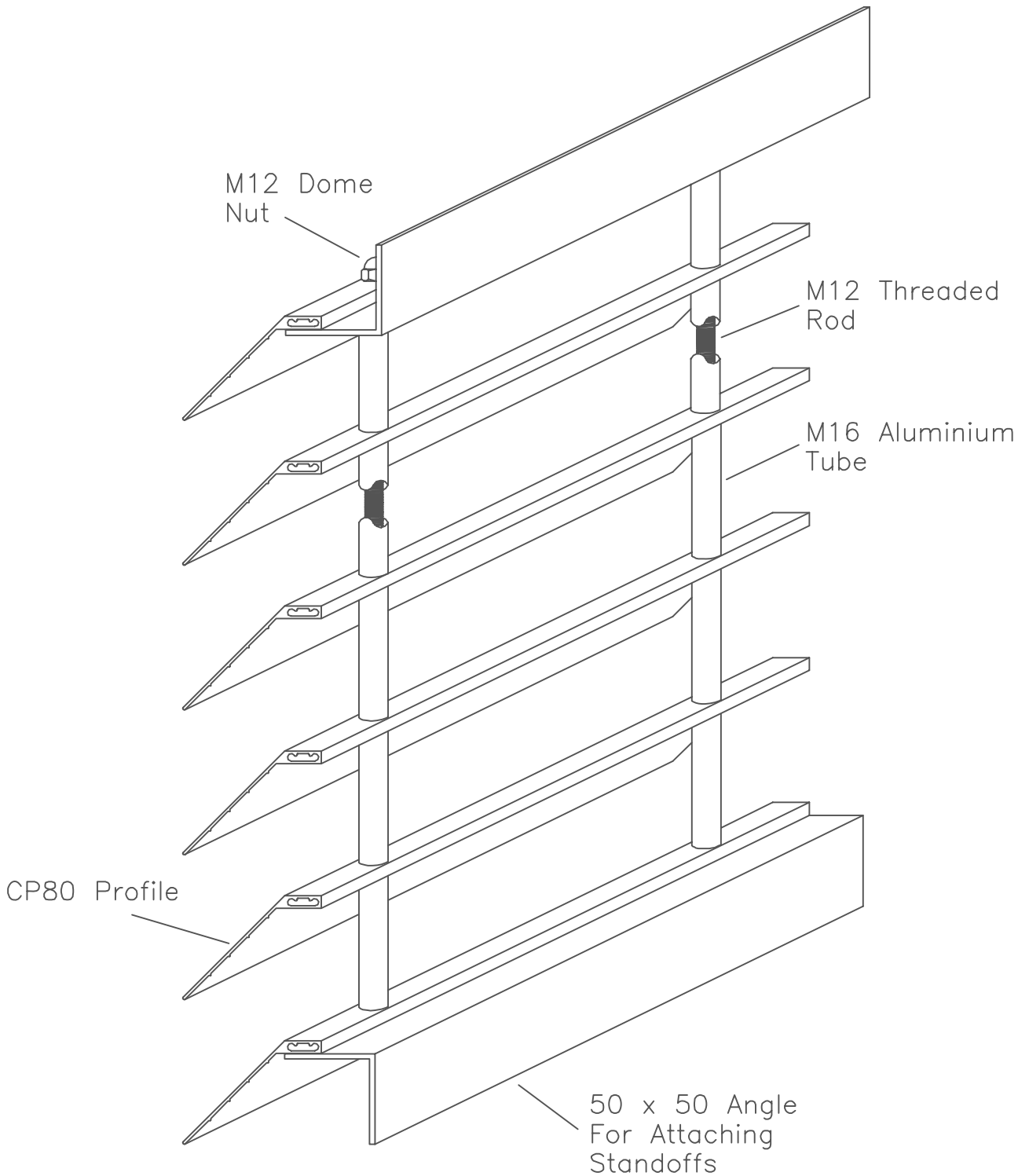


# CP80 With Threaded Rod



- Notes :**
1. Need threaded rods every 900mm
  2. Need 50 x 50 angle every 900mm drop