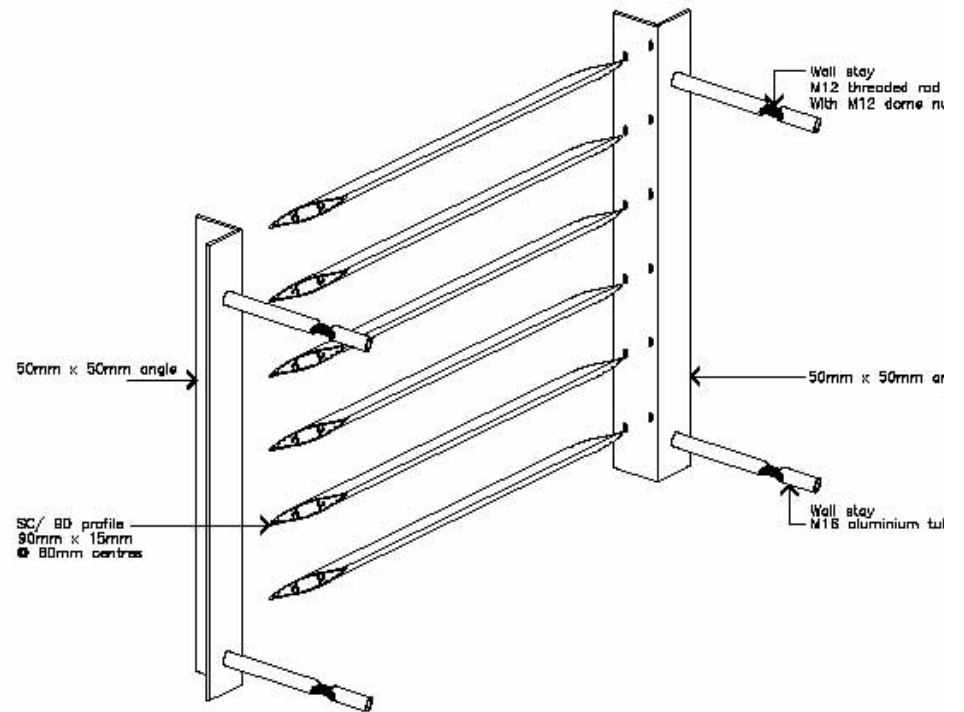


Used as a bi-fold, sliding, stacking adjustable blade shutter. Cyclone rated, with anti-rattle strand seal. The strongest shutter in it's class on the market.

Adjustable SC/ 90 Blade - Framed

BALDER LIC. 709324 ABN 20 089 552 147
 38 Pritchard Street, Lytton QLD 4178
 PO Box 83 Wynnum, Qld 4178
 Phn: 07 3393 3355 Fax: 07 3393 2515
 www.shutterconcepts.com.au email: info@shutterconcepts.com.au

SC/90-01



SC/ 90 With Angle Frame - Rod Wall Stay

BALDER LIC. 709324 ABN 20 089 552 147
 38 Pritchard Street, Lytton QLD 4178
 PO Box 83 Wynnum, Qld 4178
 Phn: 07 3393 3355 Fax: 07 3393 2515
 www.shutterconcepts.com.au email: info@shutterconcepts.com.au

SC/90-06